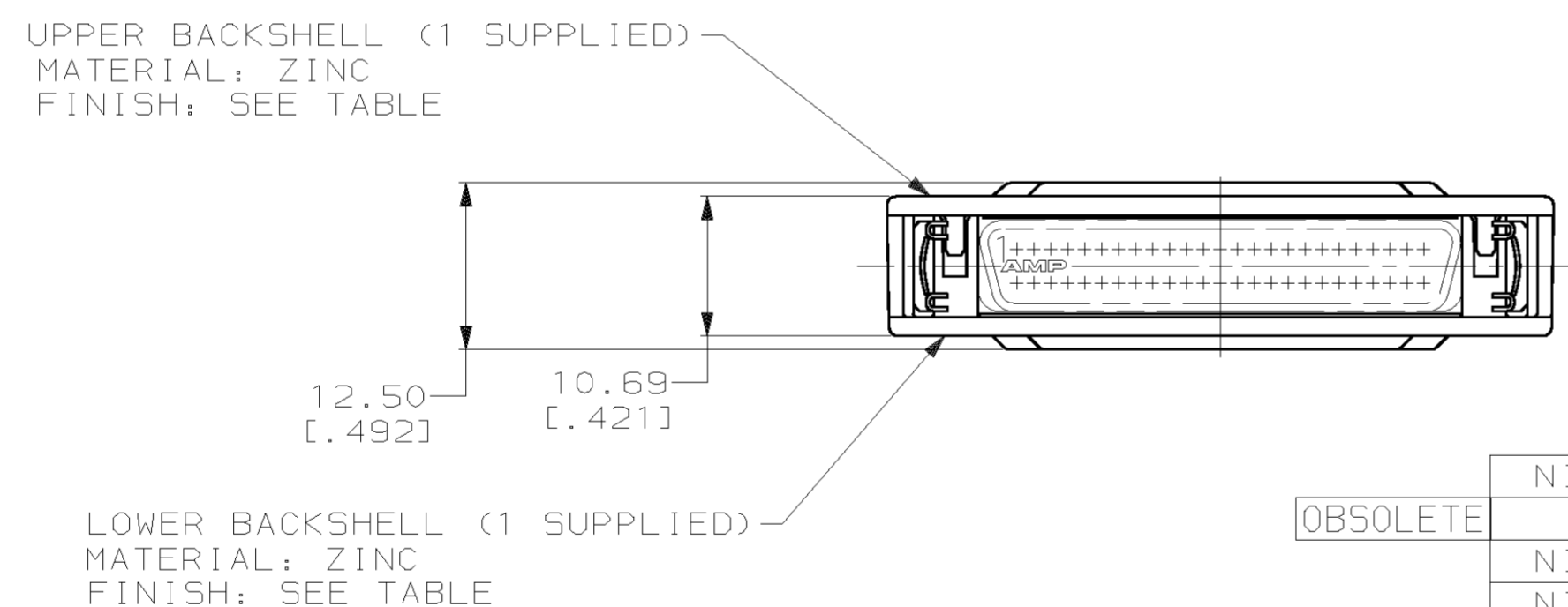
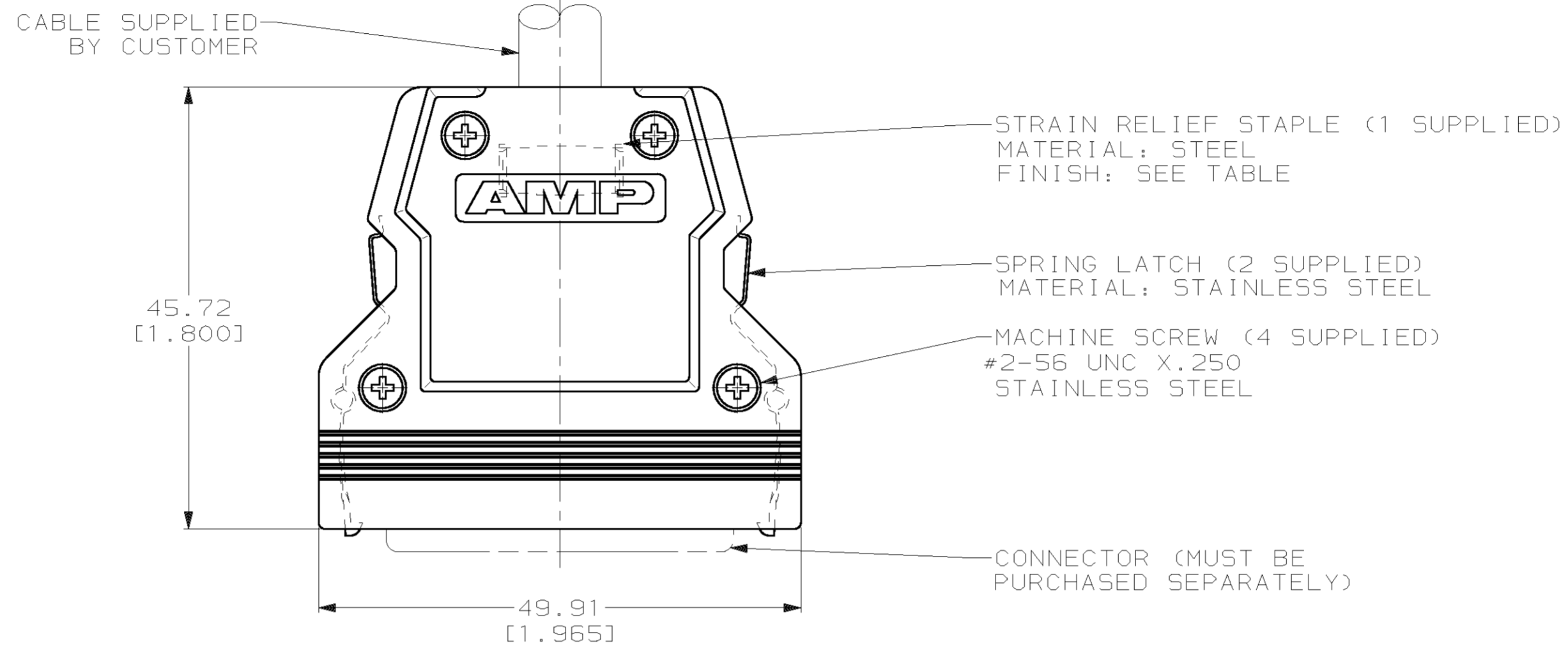


THIS DRAWING IS UNPUBLISHED. RELEASED FOR PUBLICATION ,19 .
 © COPYRIGHT 19 BY AMP INCORPORATED. ALL INTERNATIONAL RIGHTS RESERVED.

LOC	DIST	P	F	ZONE	LTR	DESCRIPTION	DATE	APPD
GP	00				E	REVISED PER EC 0513-0160-03	22MAY03	JG



- 1 PARTS PACKAGED AS A UNIT KIT.
- 2 PARTS INDIVIDUALLY BULK PACKAGED & SHIPPED AS A UNIT PACKAGE.
- 3 BRIGHT TIN-LEAD OVER NICKEL.
- 4 BRIGHT TIN OVER NICKEL.

	NICKEL OVER COPPER	4	1	.480 MAX	749889-6
OBSELETE	BLACK POWER	3	1	.480 MAX	749889-5
	NICKEL OVER COPPER	3	2	.480 MAX	749889-4
	NICKEL OVER COPPER	3	1	.480 MAX	749889-3
	NICKEL OVER COPPER	3	1	.400 MAX	749889-2
	NICKEL OVER COPPER	3	1	.355 MAX	749889-1
	BACKSHELL FINISH	STAPLE FINISH	PACKAGING	CABLE DIA	PART NO.

DO NOT SCALE PRINT. UNLESS SPECIFIED DIMENSIONS IN mm [INCHES] TOLERANCES ON : 2 PLC DEC ± 0.38 [.015] 3 PLC DEC ± - ANGLES ± -	DR 10/24/90 M.A.MCCAFFREY CHK 10/24/90 S.G.SMITH APPD 11-13-90 J.BROSCHARD APPD 10/24/90 R.N.WHITEMAN	AMP Incorporated Harrisburg, PA 17105-3608 NAME BACKSHELL KIT, 50 POSITION, REDUCED WIDTH, STRAIGHT EXIT, UNKEYED, AMPLIMITE™ .050 Series			
MATERIAL -	PRODUCT SPEC -				
FINISH -	APPLICATION SPEC -	SIZE C	CAGE CODE 00779	DRAWING NO 749889	
	WEIGHT -	SCALE 2:1	SHEET 1 OF 1		